

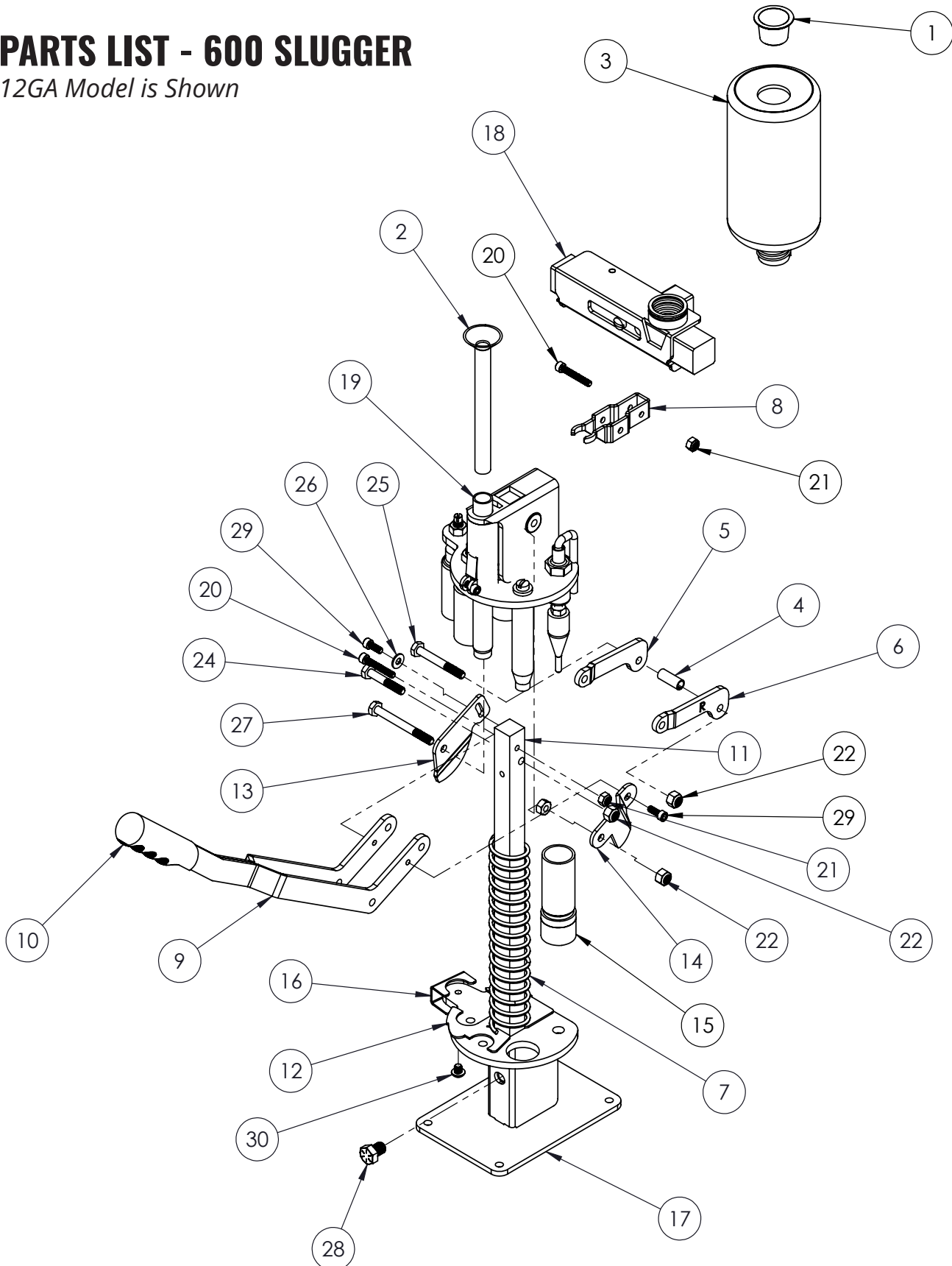


600 SLUGGER

The most efficient way to reload rifled or sabot slugs.

PARTS LIST - 600 SLUGGER

12GA Model is Shown



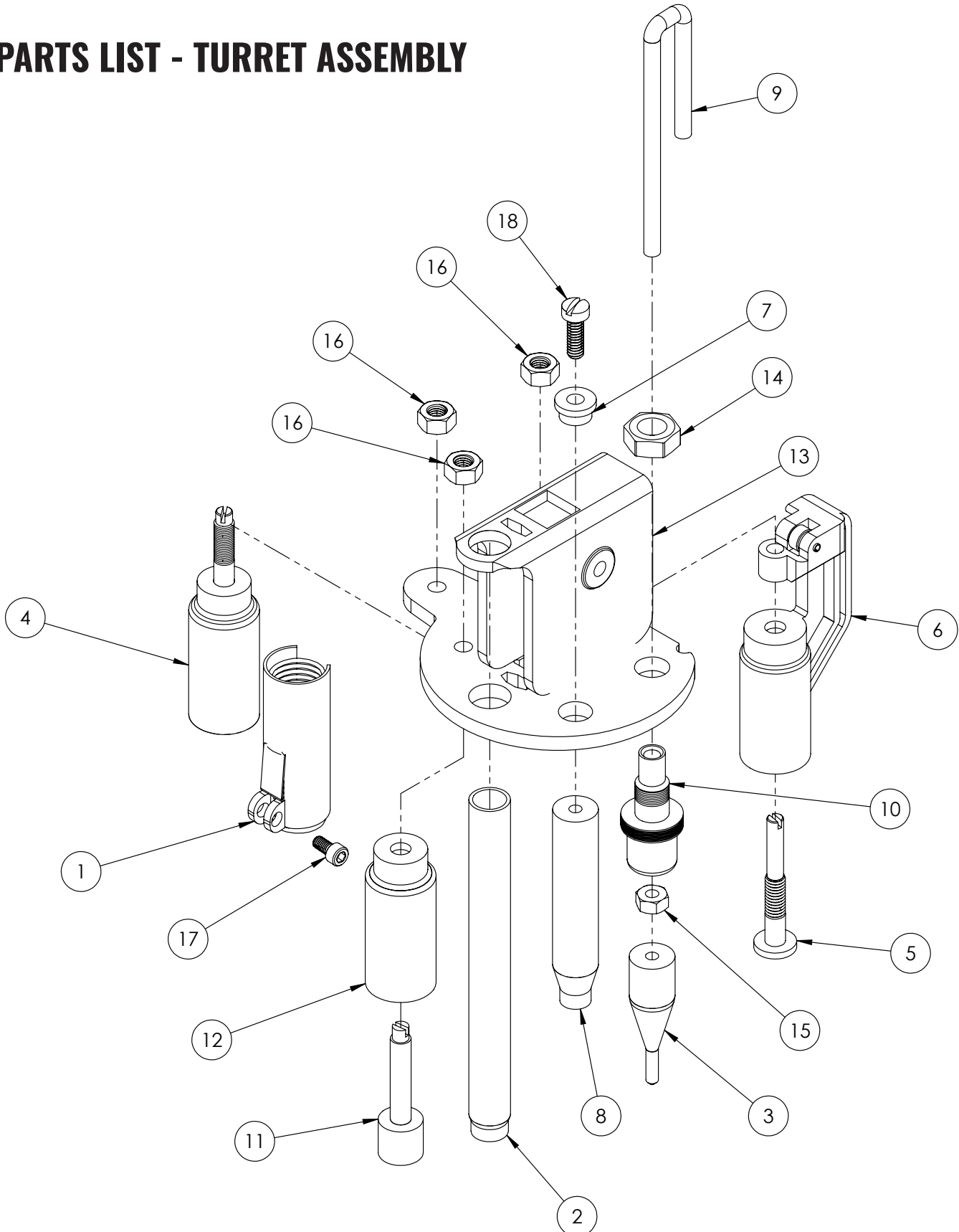
ITEM NO.	PART NUMBER	DESCRIPTION	QTY.
1	10013X	RED CAP PLUG	1
2	100205	DROP TUBE	1
3	100301L13XUPC	SMALL BOTTLE	1
4	100510B	LINK SPACER	1
5	100610LH	LINK LH	1
6	100610RH	LINK RH	1
7	100612	COLUMN SPRING	1
8	100704C	MEASURE MOUNTING BRACKET	1
9	100709	HANDLE	1
10	100709CZ	HANDLE GRIP	1
11	100711	COLUMN	1
12	10071512*	SHELL HOLDER	1
13	100723	CRIMP DIE CAM	1
14	100764	EJECT CAM	1
15	100846712*	SUPPORT TUBE ASSEMBLY	1
16	100920612*	STRIPPER	1
17	1009209	BASE ASSEMBLY	1
18	1009214	MEASURE ASSY - SLUG MASTER	1
19	100921512*	TURRET ASSY - SLUG MASTER 12 GA.	1
20	HDW304D	#10-24 X 1.25" SOCKET HEAD CAP SCREW	2
21	HDW304J	10-24 HEX LOCK NYLON NUT	2
22	HDW309E	HEX NUT NYLON INSERT 1/4-20	3
23	HDW460A	1/4"-20 HEX NUT BLK OXIDE	1
24	HDW610A	BOLT COLUMN	1
25	HDW610C	HEX HEAD CAP SCREW 3/8-16" X .500"	1
26	HDW623C	WASHER	1
27	HDW709B	BOLT HANDLE	1
28	HDW8024	3/8"-16 X .500" HEX HEAD BOLT	1
29	HDW8324	SELF TAPPING #10-32 X .500" SHCS	2
30	HDW9218	1/4"-20 X .25" LONG BUTTON HEAD CAP SCREW	1



600 SLUGGER

The most efficient way to reload rifled or sabot slugs.

PARTS LIST - TURRET ASSEMBLY



ITEM NO.	PART NUMBER	DESCRIPTION	QTY.
1	100306CA	MEASURE INDICATOR ASSEMBLY	1
2	100505B12*	RAMMER TUBE	1
3	10051912*	DEPRIME PUNCH	1
4	10052212P*	FINISH DIE - 12 GA.	1
5	100621B12*	CAM CRIMP PUNCH	1
6	100621BA12*	CAM CRIMP ASSEMBLY	1
7	100703	SPACER	1
8	10072012*	REPRIME PUNCH	1
9	100760	EJECT BOLT	1
10	100832012*	KNOCKOUT BUSH	1
11	100918712*	PUNCH - SLUGS - 12 GA.	1
12	1009204P12*	ROLL DIE	1
13	1009210	TURRET WELDMENT - SLUG MASTER	1
14	HDW459A	1/2"-20 HEX JAM NUT	1
15	HDW460A	1/4"-20 HEX NUT BLK OXIDE	1
16	HDW461A	5/16"-24 HEX NUT	3
17	HDW507A	#10-32 X .375" LENGTH, SOCKET HEAD CAP SCREW	1
18	HDW634K	1/4"-20 X .75" MACHINE SCREW	1

* INDICATES PARTS ARE GAUGE SPECIFIC. IF 20 GA. COMPONENTS ARE NEEDED REPLACE THE 12 WITH 20