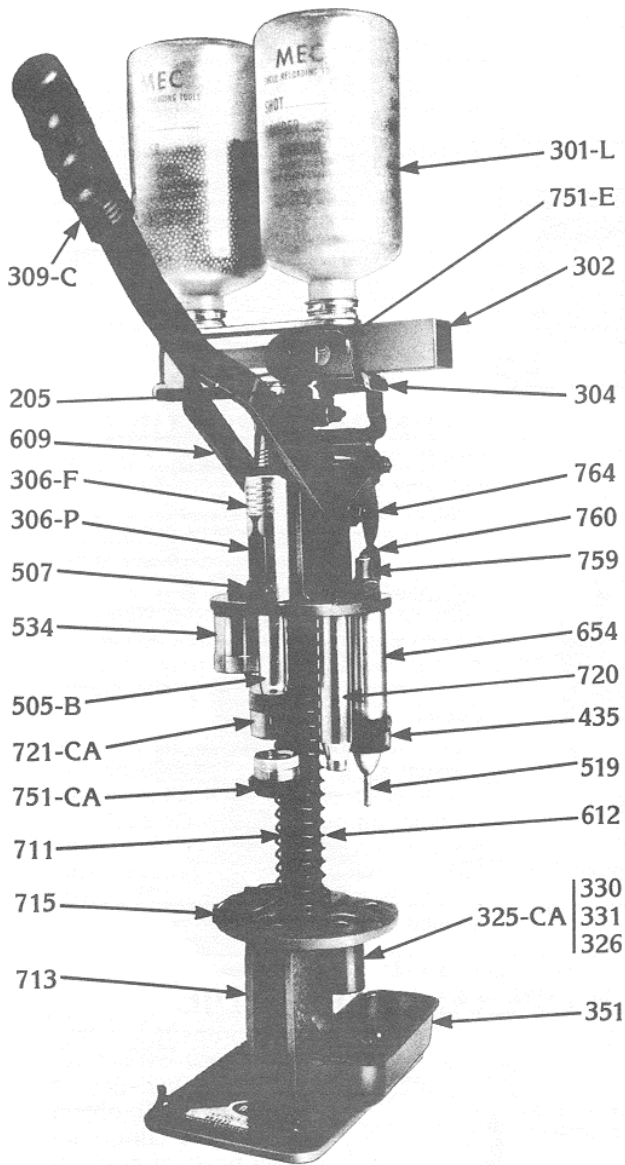


VERSAMEC 700 PARTIAL PARTS LIST



Part No.	Part Description
205	Drop Tube
301L	Container W/Cap
302	Charging Bar
303	Stop Screw
304	Measure Only
304CA	Measure W/Bar & Containers
304D	Measure Pivot Screw
304F	Measure Wing Nut
304G	Grommet
306F	Pressure Ind. Face
306P	Pointer
306T	Pressure Spring
309C	Handle Grip
720*	Reprime Punch
325	Primer Seating Assembly
330	Spring
331	Spring Pad
654	Support Tube
435*	Resize Ring
453	Fingers
459A	Lock Nut
505B*	Rammer Tube
507A	Screw
507B	Hex Wrench
519*	Deprime Punch
534	Spindex Star Crimp
759*	K.O. Bushing
709	Handle
610	LH & RH Link PR
612	Column Spring
723	Crimp Die Cam
623A	Cam Roller Bolt
623B	Cam Roller
704C	Measure Mt'g. Bracket
708	Turret Frame Assembly
711	Column
711B	Roll Pin
713	Base Assembly
715*	Shell Holder
721*	Cam Crimp Housing
721B*	Cam Crimp Punch
764	Eject Cam
751A	Wad Guide Bracket Assembly
751CA	Wad Guide Assembly
453	Wad Guide Finger
751E	Pro-Check

VERSAMEC 700 Accessory Equipment

741V-10-12-16-20-28-410	Die Set
-------------------------	---------

*Specify gauge.